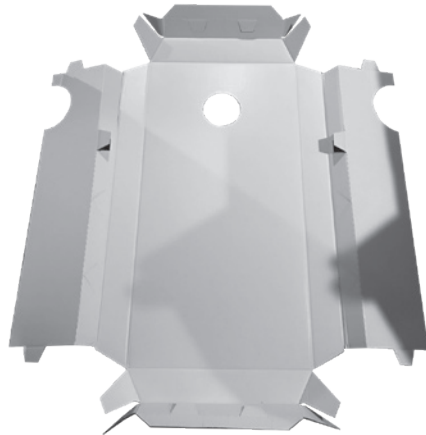
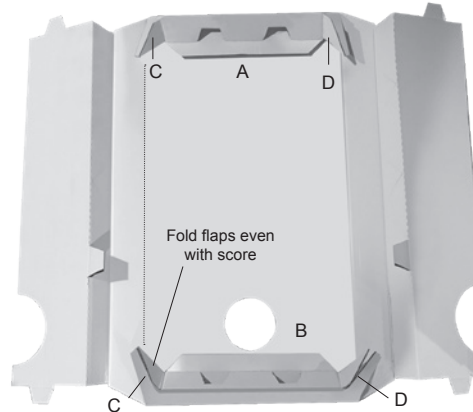




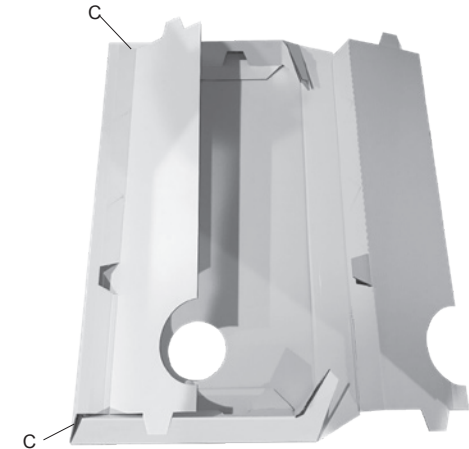
CORNHOLE ASSEMBLY INSTRUCTIONS



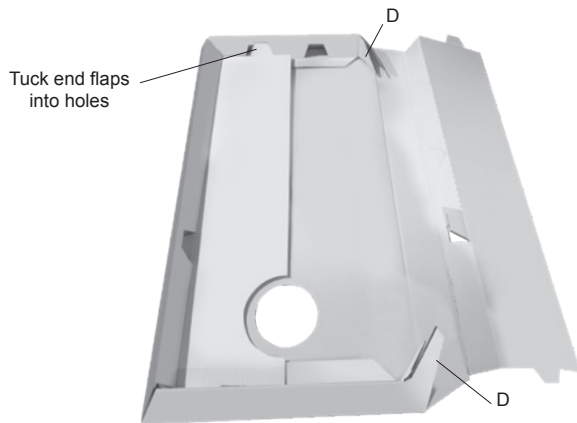
Fold on all score lines first



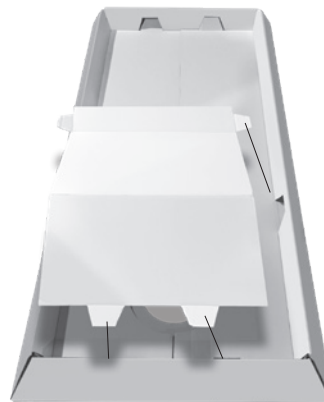
Fold top and bottom pieces (A & B)
Fold flaps to 90° even with score (C & D)



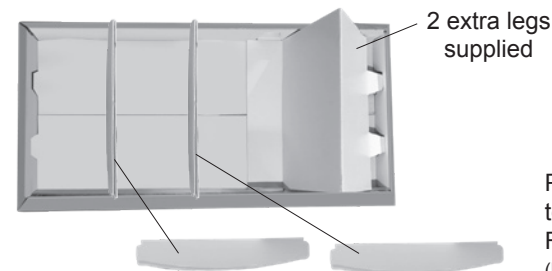
Fold left side over flaps (C)



Fold right side over flaps (D)



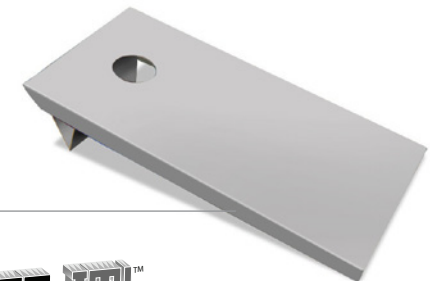
Fold leg on all score lines
Tuck flaps into cutout holes



2 extra legs supplied

Place two supports together and fit into slots.
Flat edge toward sky
(bend slightly, once they are in slots straighten out supports)

See You Tube video at
www.youtube.com/watch?v=9H3jH_SkTjU



Due to the characteristics of corrugated cardboard, these products are not meant to withstand an excessive amount of weight. Standing or stacking on Korrrugate It products is not recommended. Korrrugate It is not responsible for any misuse of product.

Occasionally, slight tearing appears on the inside of the pieces. This occurs during the manufacturing process and does not impact the appearance or structural integrity of the assembled furniture in any way.